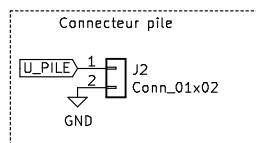
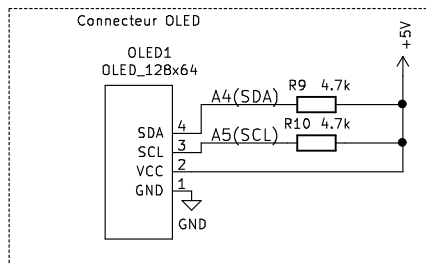
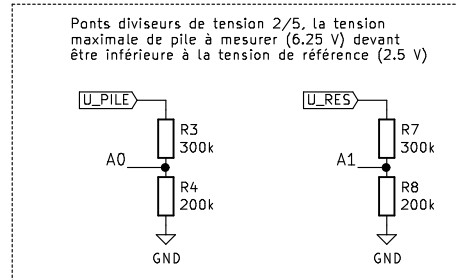
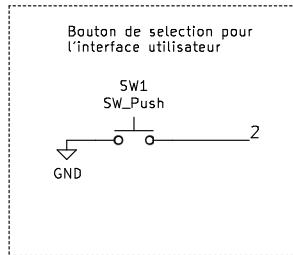
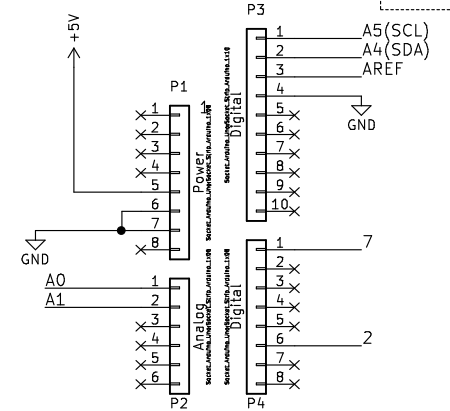
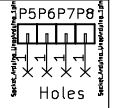


Shield for Arduino that uses the same pin disposition like "Uno" board Rev 3.



Sheet: /	
File: shield-testeur-pile-batterie.sch	
Title: Shield testeur de pile Arduino Uno	
Size: A4	Date: 2020-09-19
KiCad E.D.A. kicad 5.1.8-db983349188ubuntu20.04.1	
	Rev: 1/1